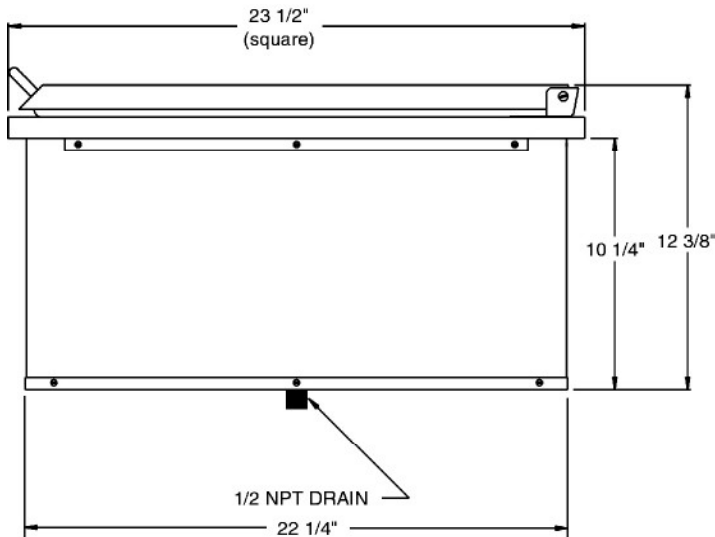
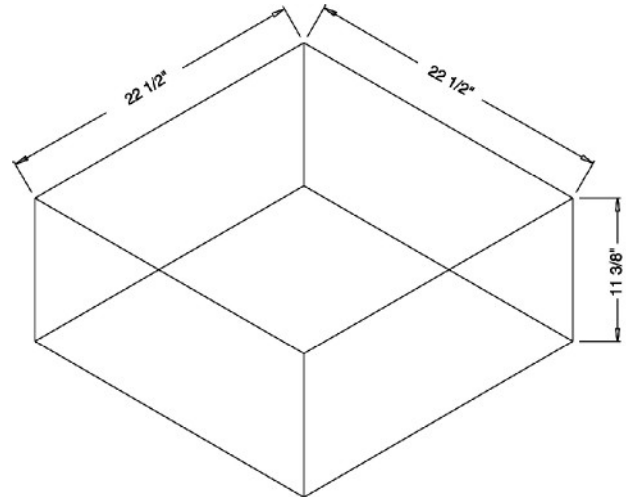


SPECIFICATIONS FOR OCI DROP IN COOLER

GENERAL DIMENSIONS:



CUTOUT DIMENSIONS FOR BUILT IN APPLICATION:



Standard Features

- 304 Non-rusting and Non-magnetic stainless steel construction.
- Stainless Steel Liner
- 1" Styrene insulation to keep beverages in cooler for longer periods of time.
- 3 Plastic inserts for condiments
- 3/4" Refrigerator Style Gasket
- 1/2" NPT Drain Hookup with fitting for 1/2" PVC Hose
- Fully Assembled

Warranty

- 1-Year Warranty on Drop-In Cooler Refrigerator Style Gasket & Plastic inserts, due to manufacturer defects in craftsmanship.
- 5-Year Warranty on all Stainless Steel Parts

Drop-In Coolers are covered for 1 full year from date of purchase, and 5 full years on all stainless steel parts only by defects in workmanship. A copy of the original receipt is required for all warranty claims. Please keep a copy of this handout along with original receipt for your files.

- Shipping weight of OCI-DC2 (52 lbs.)

PLEASE NOTE: *If installing with a backsplash, allow 3" behind cooler for lid clearance.

*Because of continuing product improvement these specifications are subject to change without notice.